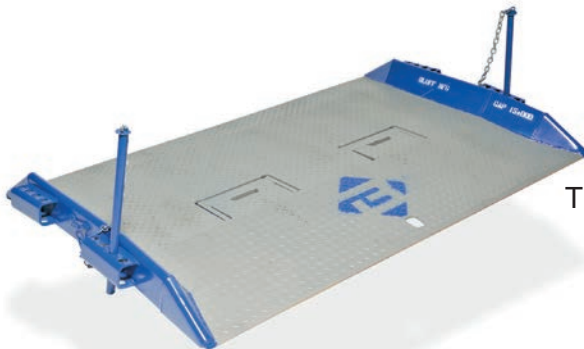




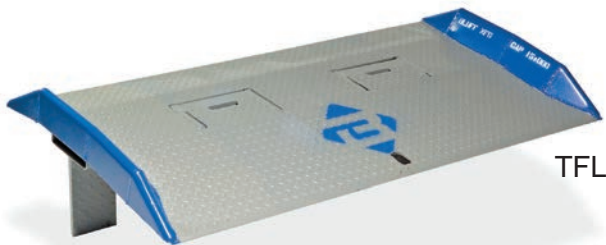
## Steel Dock Boards Models T, TFL, TNB

*Fully welded steel dock boards provide a safe ramp for powered vehicle application*



### STEEL DOCK BOARD MODEL T

- All-welded steel construction
- Double-bend design
- Capacities from 15,000 to 40,000 pounds
- Two four-hole pin pockets placed on each edge for flexible positioning
- Fold-down lifting loops and double-bend design
- Use with conventional, refrigerated, or container trailers, or for below dock conditions
- Widths from 60" to 96"
- Can be used for below dock applications



### STEEL DOCK BOARD MODEL TFL

- 2 bend board with locking legs in lieu of steel pins
- Not recommended for below dock loading

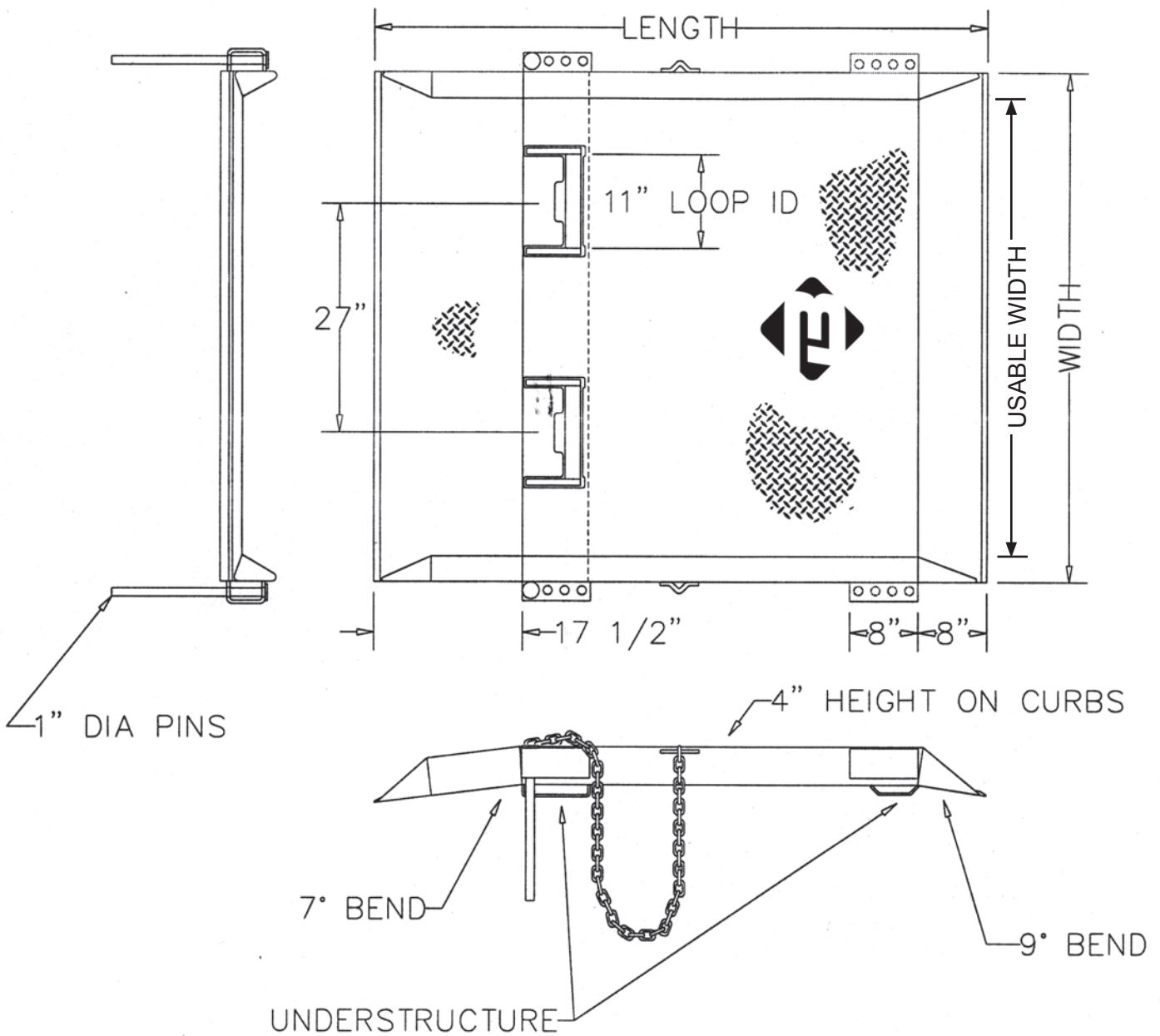


### STEEL DOCK BOARD MODEL TNB

- Single-bend design utilizes the lifting chain and full width locking legs
- Not recommended for below dock loading

Manufactured and tested in compliance with ANSI Standard MH30.2

**STEEL DOCK BOARDS  
MODEL T**



**15T6072**

LENGTH  
WIDTH  
MODEL  
15,000 CAPACITY

BOARD LENGTH

48"-60"  
66"-72"  
78"-84"  
90"-96"

PIN LENGTH

20"  
24"  
30"  
36"