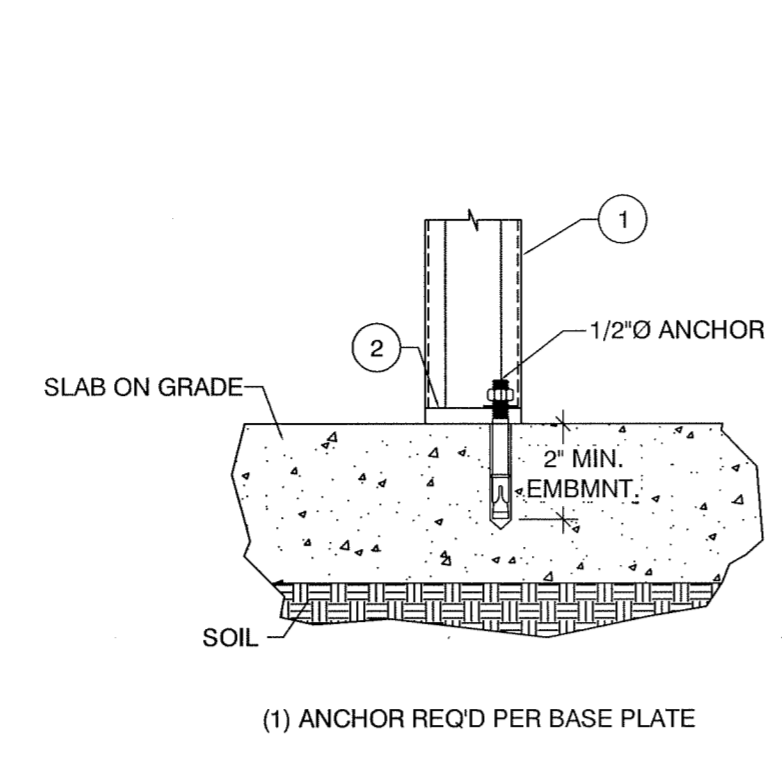
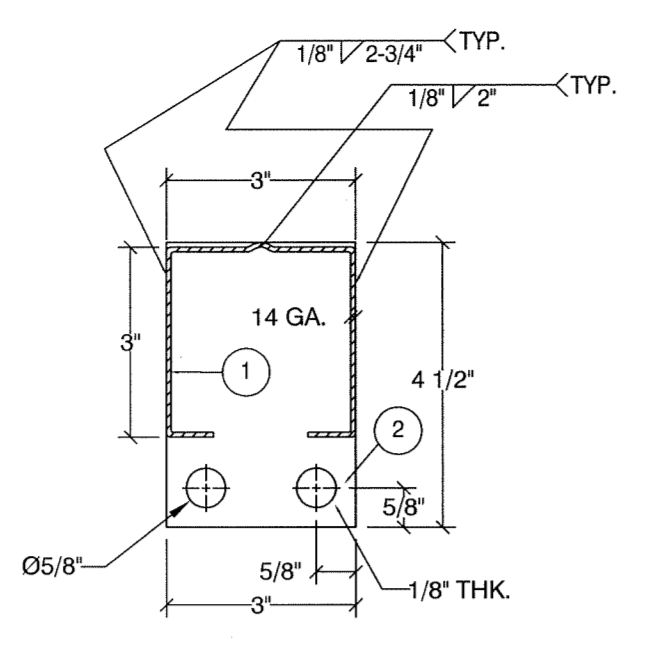
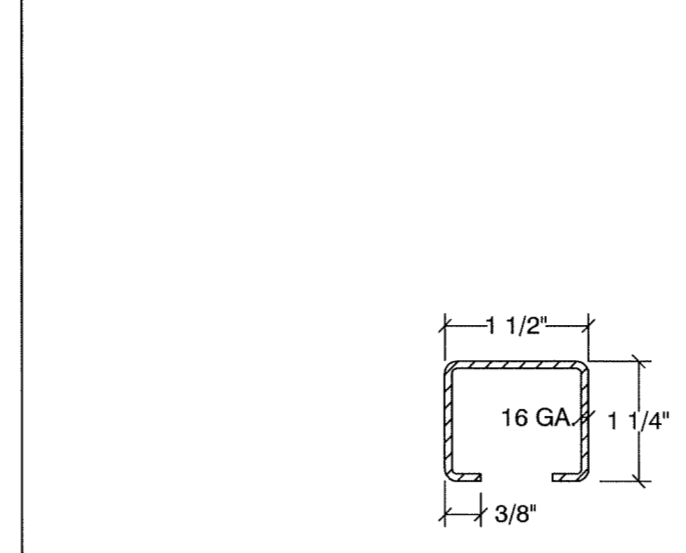


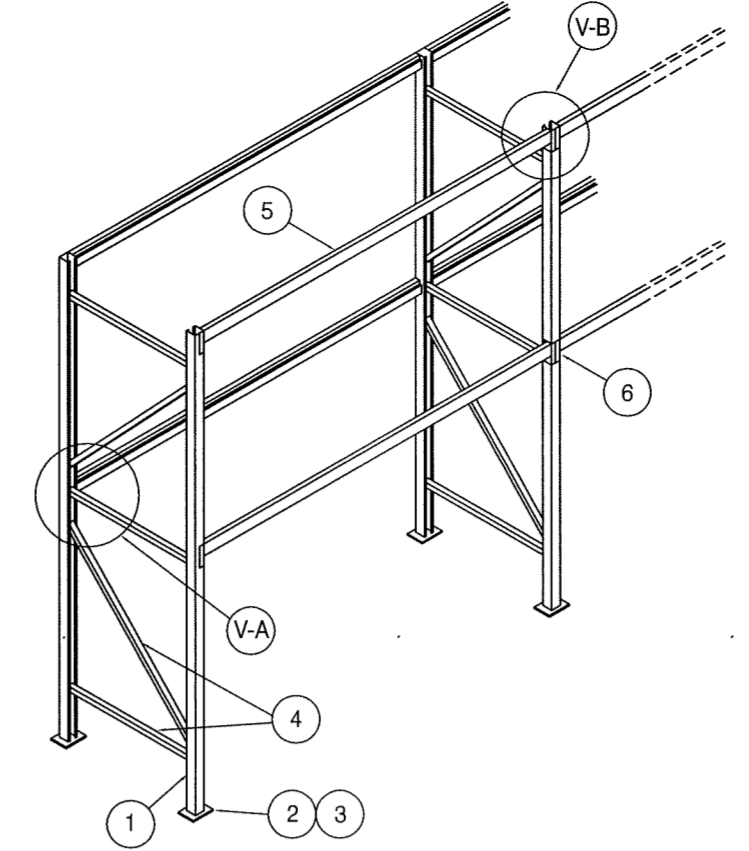
2 BASE PLATE
1 COLUMN



3 ANCHOR



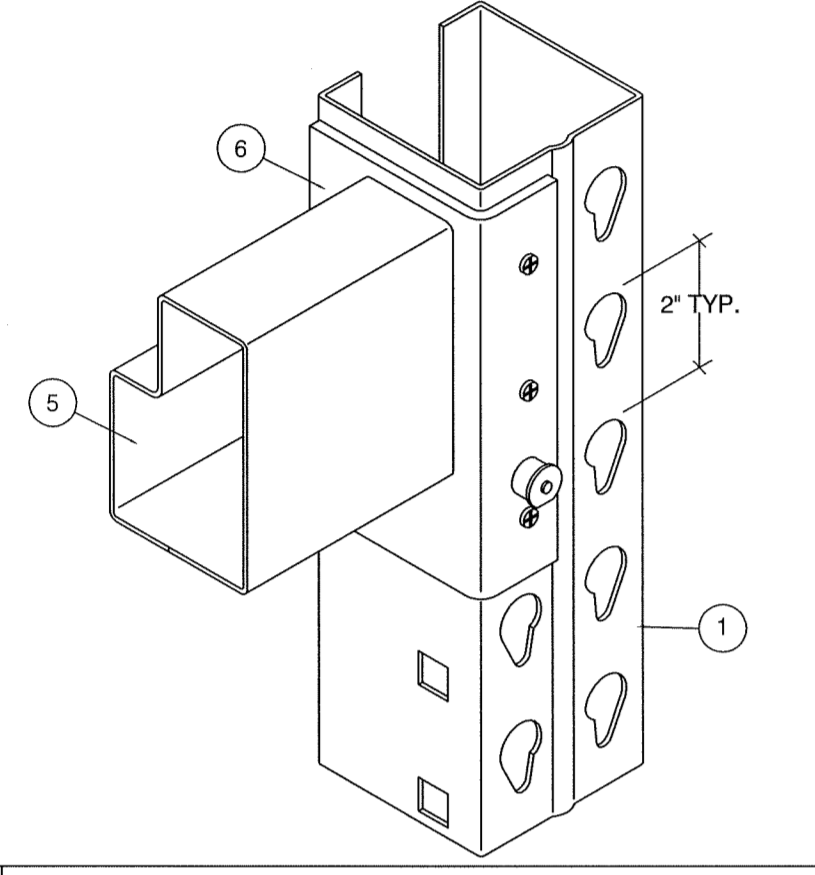
4 HORIZONTAL & DIAGONAL BRACE



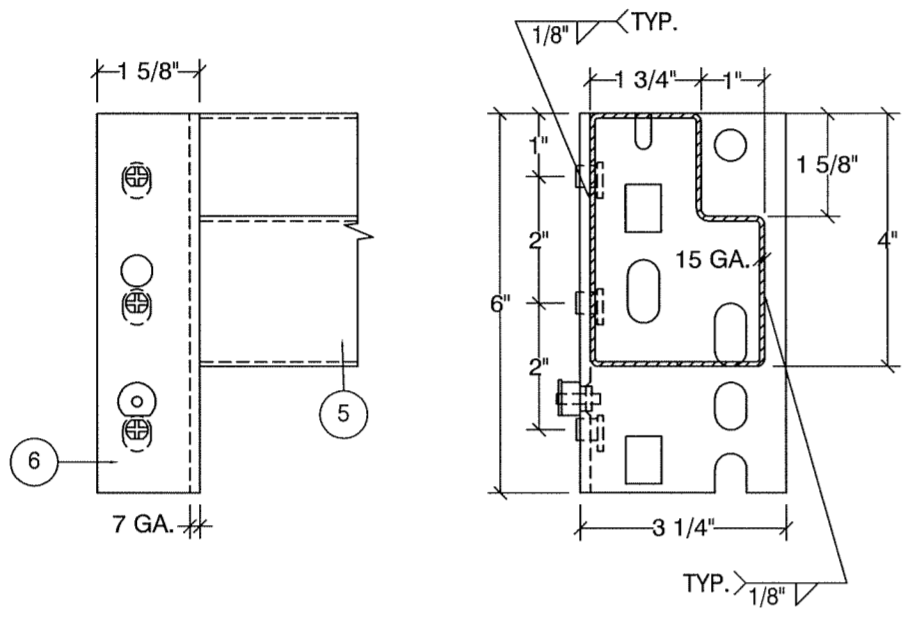
GENERAL CONFIGURATION

NOTES:
 1. DESIGNED PER THE 2012 NCBC.
 $F_a = 1.54$ & $S_s = 0.325$.
 2. STORAGE CAPACITY: TYPE A 2,000# PER LEVEL
 TYPE B 3,000# PER LEVEL
 TYPE C 3,000# PER LEVEL
 TYPE D 3,000# PER LEVEL.
 3. ASTM A1011 FOR SHAPE $F_y = 55,000$ PSI GRADE 55.
 4. ALL BOLTS: A307 (UNLESS OTHERWISE NOTED).
 5. ANCHORS: HILTI KWIK BOLT TZ.
 6. ANCHORS SHALL BE INSTALLED PER ICC #ESR-1917.
 7. CONCRETE: 5\"/>

ADDRESS:
SPEARS
 4835 SIRIONA DRIVE, #400
 CHARLOTTE, NC 28273

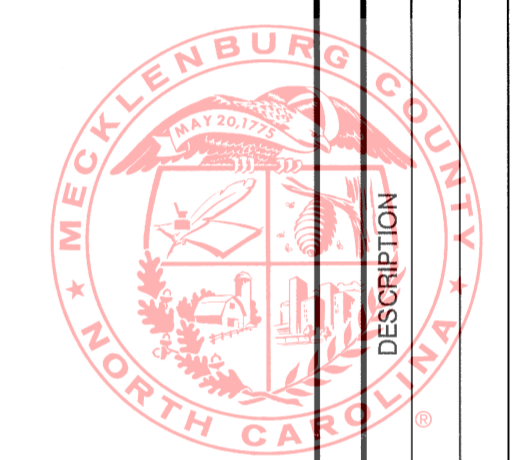


6 CONNECTOR
5 BEAM



V-A TYPICAL BRACE TO COLUMN CONNECTION

V-B TYPICAL BEAM TO COLUMN CONNECTION



MECKLENBURG COUNTY
 CODE ENFORCEMENT

The Design In These Construction Documents Have Been Reviewed For Compliance With The State Building Code. It Is The Responsibility Of The Contractor To Construct This Project With Good Engineering Practice And In Compliance With The North Carolina State Building Code.

The issuance of a permit or approval of plans or specifications shall not be deemed or construed to be a permit for an approval or violation of any of the provisions of the North Carolina State Building Code or ordinances.

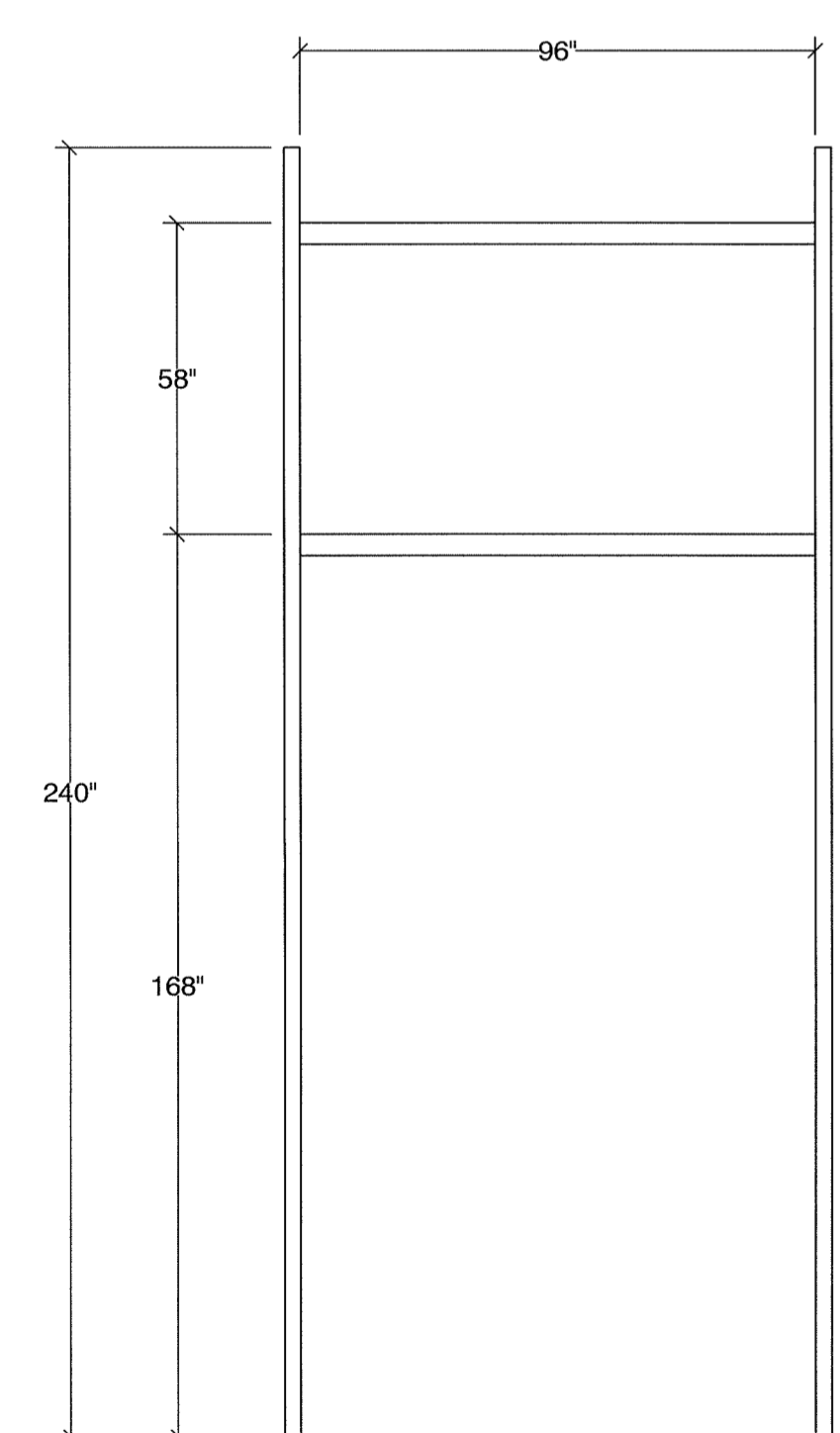
Separate permits required for erection of signs and for Hazardous Occupancy or Processing.

TYPE A

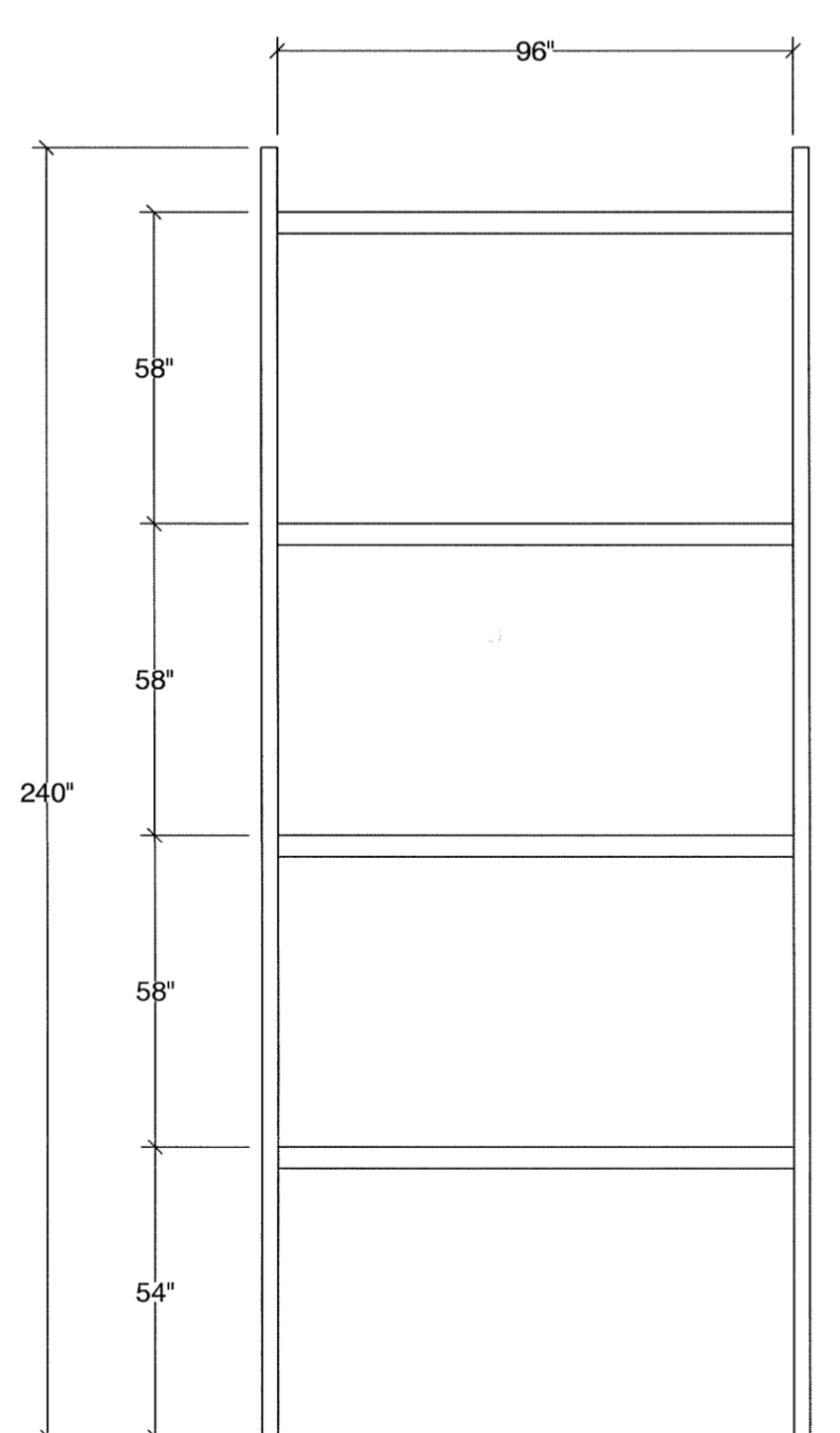
TYPE B

TYPE C

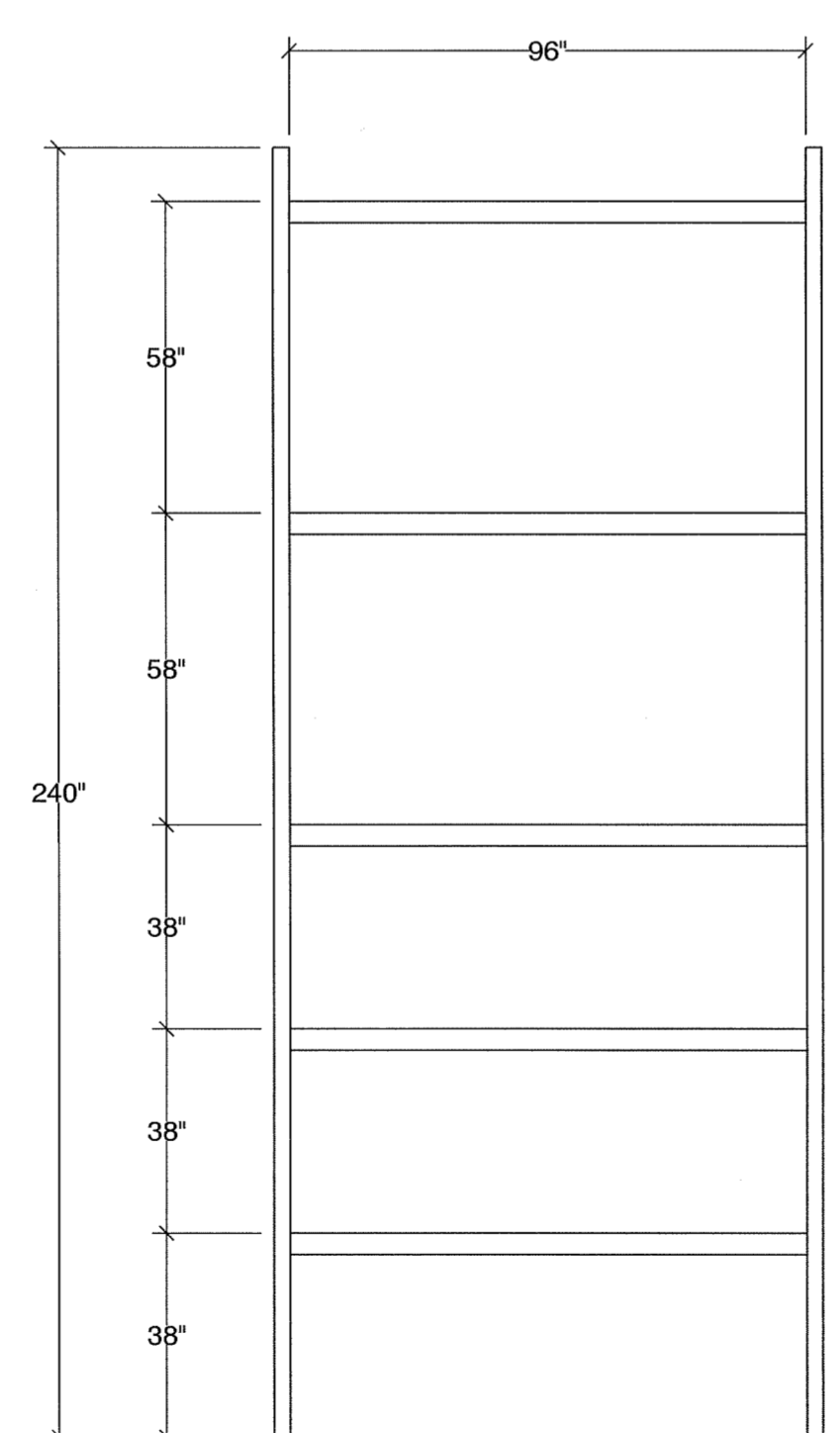
TYPE D



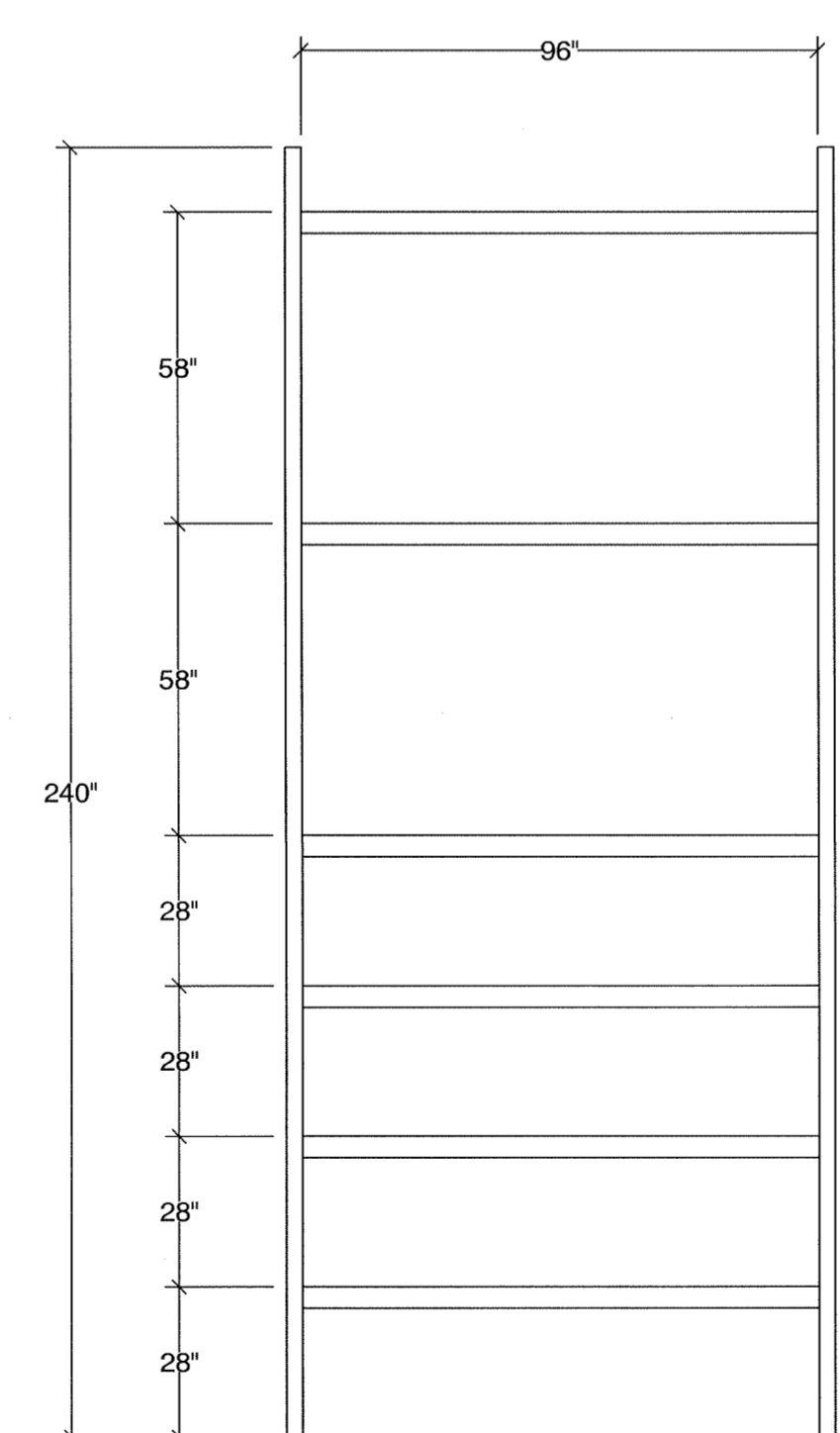
FRONT VIEW



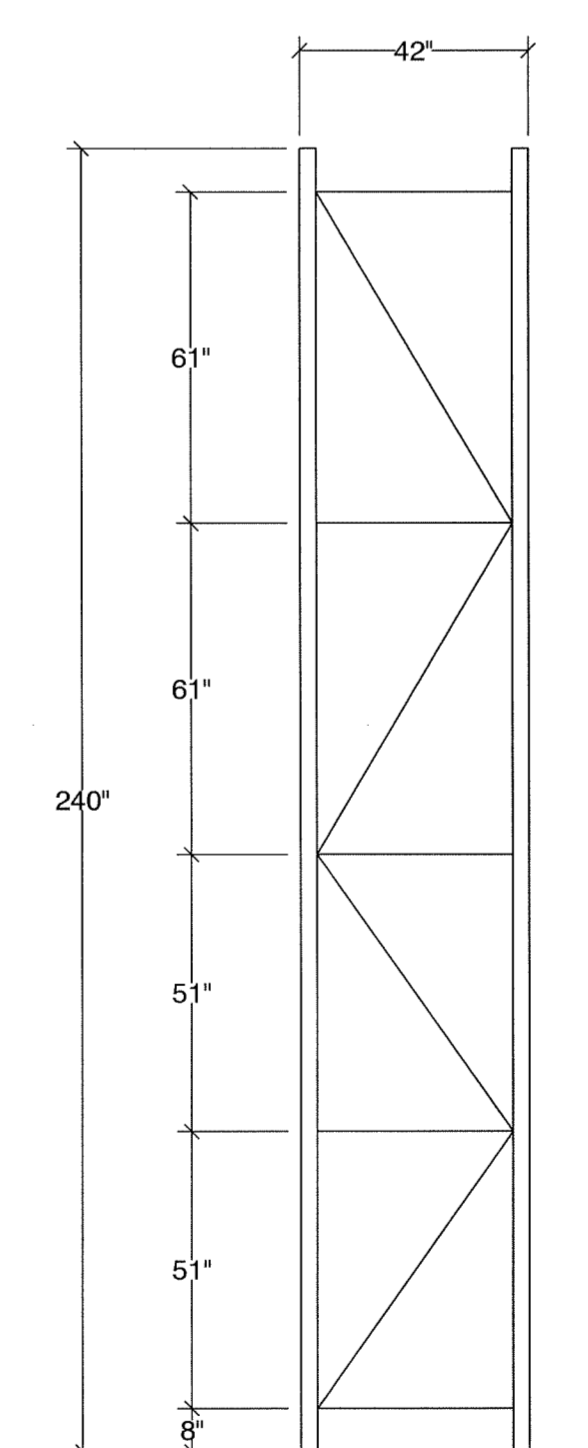
FRONT VIEW



FRONT VIEW



FRONT VIEW



SIDE VIEW

STORAGE RACK ELEVATIONS

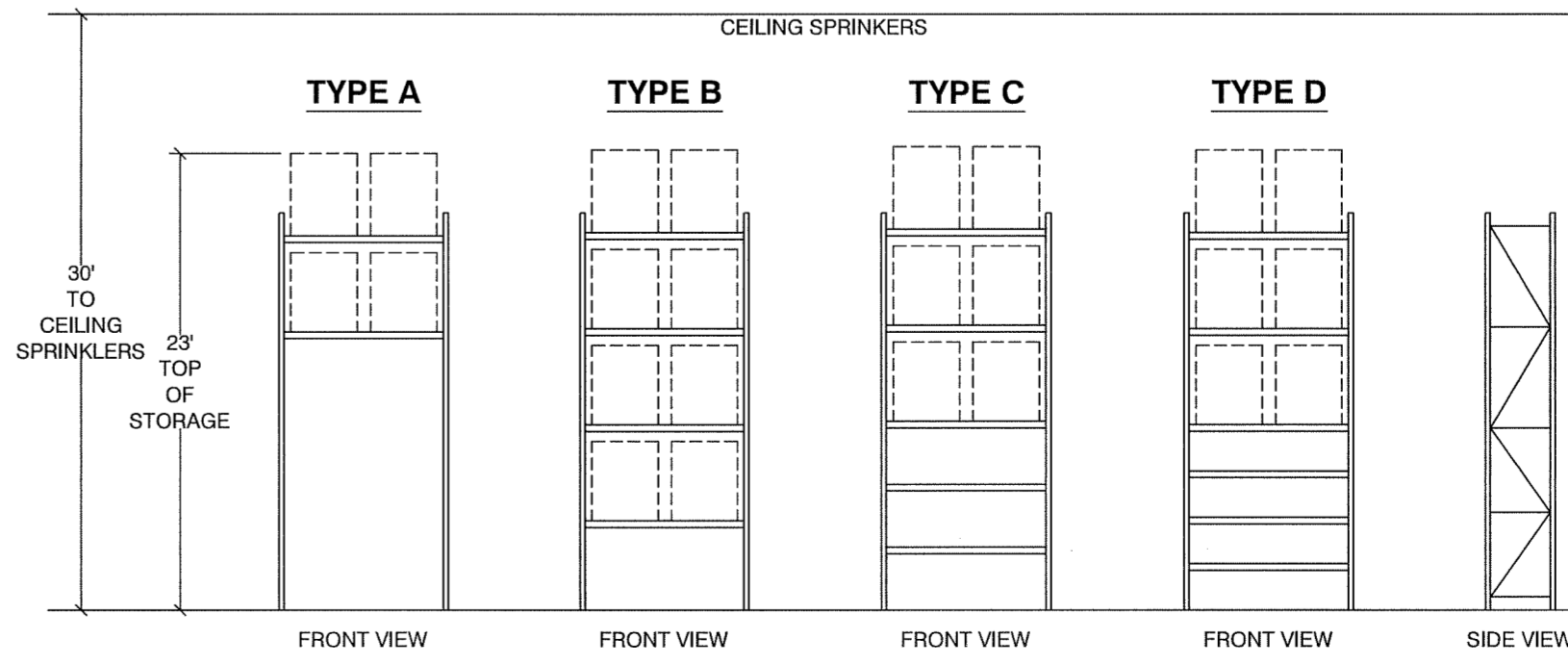
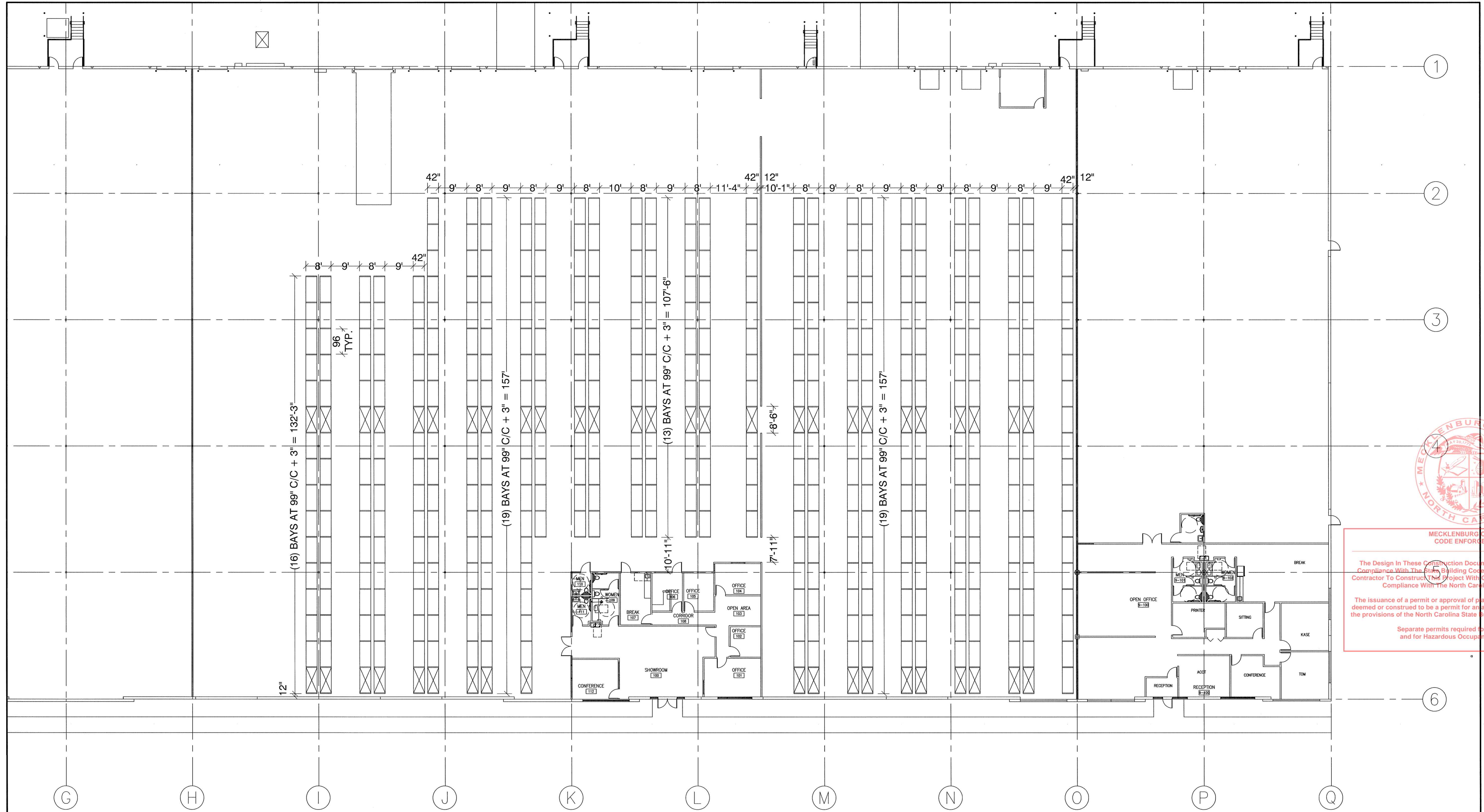
SEIZMIC
 EST. 1985
 SEIZMIC
 ENGINEERING, INC.
 161 Atlantic Street
 Pomona, California
 91768
 Tel. (909)869-0989
 Fax (909)869-0981

DRAWN BY: A.N./T.K.
 DATE: 10/28/14
 LAST REV. BY:
 REV. DATE:
 TYPE:
 SCALE: N.T.S.
 APPROV. BY: SAL E. FATEEN



DESCRIPTION:
STORAGE RACK DETAILS

DRAWING NUMBER:
14-1739-A



MECKLENBURG COUNTY
CODE ENFORCEMENT

The Design In These Construction Documents Has Been Reviewed For Compliance With The State Building Code, It Is The Responsibility Of The Contractor To Construct This Project With Good Engineering Practice And In Compliance With The North Carolina Building Code.

The issuance of a permit or approval of plans by the Code Enforcement shall not be deemed or construed to be a permit for an approval or any violation of any of the provisions of the North Carolina State Building Code or other applicable ordinances.

Separate permits required for erection of signs and for Hazardous Occupancy or Processing.

SPEARS
4835 SIRONA DRIVE, #400
CHARLOTTE, NC 28278

MECKLENBURG COUNTY
NORTH CAROLINA
SEAL
DESCRIPTION
REJECTED LAYOUT

SEIZMIC
EST. 1985
SEIZMIC
ENGINEERING, INC.
161 Atlantic Street
Pomona, California
91768
Tel. (909) 869-0989
Fax (909) 869-0981

DRAWN BY: A.N./T.K.
DATE: 10/28/14
LAST REV. BY: A.N./T.K.
REV. DATE: 11/05/14
TYPE: N.T.S.
APPRVD BY: SAL E. FATEEN

PROFESSIONAL
SEAL
23322
ENGINEER
SAL E. FATEEN

EXPIRES
12-31-2014

DESCRIPTION:
STORAGE RACK LAYOUT

DRAWING NUMBER:
14-1739-B